

Operating instructions

OVATION MP 6.3

OVATION MP 8.3



AVM
AUDIOPHILE MASTERPIECES

Caution

This unit contains a class 1 laser diode. Do not open. Invisible laser radiation can damage your eyes.

Laserdiode Typ: Ga-Al-As
Wavelength: 755 - 815 nm (25 °C)
Output power: max. 0,7 mW max.



Declaration of conformity (for EC only)

We herewith confirm, that the unit to which this manual belongs fulfills the EC rules necessary to obtain the sign



the necessary measurements were taken with positive results.

AVM Audio Video Manufaktur GmbH
Daimlerstraße 8
D-76316 Malsch
Germany

www.avm.audio
info@avm.audio

A warm welcome!

We are pleased you have chosen an audiophile masterpiece from AVM and thank you for your trust. With the OVATION MP 6.3 / 8.3 you own a high-end component with outstanding sound quality and a wide range of functions. In the following, we would like to explain the use of your OVATION Media Player in a comprehensive way and therefore ask you to take a little time to study this manual in detail.

Please note: Since the range of functions of your OVATION MP 6.3 / 8.3 may be expanded by future software updates, it is in the nature of things that these instructions must also be supplemented. The latest version of this manual is therefore always available for free download from our website at www.avm.audio.

If you have any questions that we have not been able to answer with these instructions, please contact your trusted dealer who will be able to configure the device according to your wishes and personal needs and also provide you with instructions for daily use.

A handwritten signature in black ink, appearing to read 'Udo Besser', with a stylized, flowing script.

Udo Besser – AVM Owner & General Manager

Table of contents

1	Getting started	6
1.1	What's in the box?	6
1.2	Control and operating elements	6
1.3	Installation and cooling	7
1.4	Connection to mains	7
1.5	Mains phase indicator	8
1.6	Connection to a preamplifier or integrated amplifier	8
1.7	Connection of digital sources	8
1.8	RC 9 remote control	9
1.9	RC X App for iOS and Android	9
1.10	Network installation (LAN, WiFi)	9
1.11	Software & Firmware Updates	18
1.12	External infrared control	19
2	Basic operation	20
2.1	First operation / self test	20
2.2	Switching on / stand-by	20
2.3	Display	20
2.4	CD Player	21
2.5	Source selection	24
2.6	Volume setting	24
2.7	Samplerate and filter setting	24
2.8	USB B digital input	25
3	Advanced Settings	26
3.1	Personal Setup	26
3.2	Reset (Factory Settings)	28
4	Appendix	29
4.1	Cleaning	29
4.2	Troubleshooting	29
4.3	Conditions of warranty (EC only)	30

1 Getting started

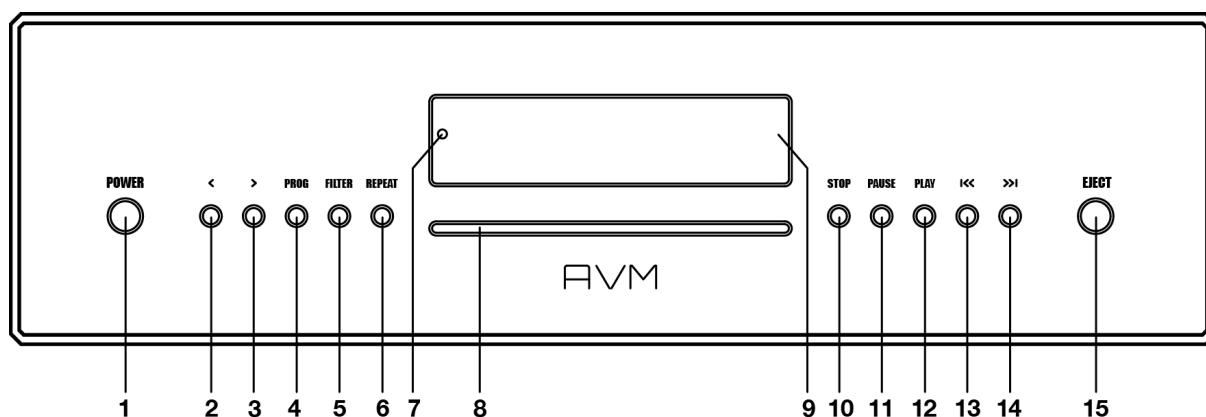
1.1 What's in the box?

- **OVATION MP 6.3 / 8.3 Media Player**
- **WiFi antenna**
- **Power cord (in some countries)**
- **Optional accessory: RC 9 remote control with docking station, power supply unit, USB charging cable**

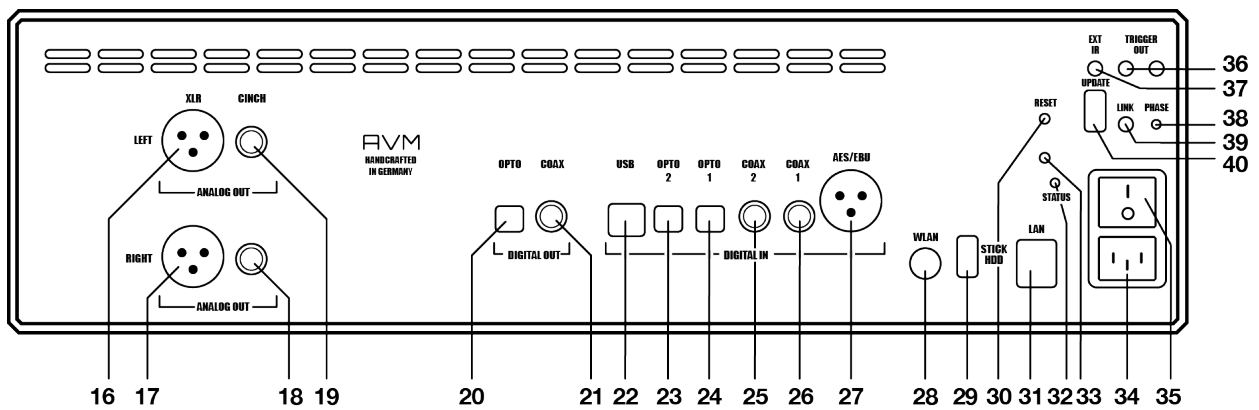
CAUTION: After unpacking, please check the scope of delivery to ensure that all parts have been supplied and are undamaged. In case the original packing has already been opened, please contact your local dealer. Often, your dealer prepares your new device prior to delivery to adapt and change the configuration to your personal needs. We also ship all of our network-capable devices with the latest version of the appropriate streaming software, which may need to be updated during initial installation (see Section 1.11 for details on updating your streaming software).

1.2 Control and operating elements

The numbers in the drawings below mark the control elements. They refer to the numbers in the text, where the operation of the unit is described.



- | | |
|--|---------------------------------|
| 1 Power button (on / off) | 9 Display |
| 2 Option key < (source, volume) | 10 STOP button |
| 3 Option key > (source, volume) | 11 PAUSE button |
| 4 PROG button (track programming, RND) | 12 PLAY button |
| 5 FILTER button | 13 Skip / Search button back |
| 6 REPEAT button | 14 Skip / Search button forward |
| 7 Standby LED | 15 EJECT button |
| 8 CD slot | |



- | | |
|--------------------------------------|--|
| 16 Analogue output left (XLR) | 28 WiFi antenna socket |
| 17 Analogue output right (XLR) | 29 USB A digital input for storage media |
| 18 Analogue output right (Cinch/RCA) | 30 Reset button |
| 19 Analogue output left (Cinch/RCA) | 31 Network port (LAN) |
| 20 Digital output optical | 32 Status LED |
| 21 Digital output coaxial | 33 Update button (Streaming module) |
| 22 USB B digital input | 34 Mains connector |
| 23 Digital input optical 2 | 35 Mains switch |
| 24 Digital input optical 1 | 36 Trigger outputs |
| 25 Digital input coaxial 2 | 37 Connector for external IR receiver |
| 26 Digital input coaxial 1 | 38 Phase LED |
| 27 Digital input AES/EBU | 39 Link |
| | 40 Configuration port (updates) |

1.3 Installation and cooling

During normal operation, the device only generates a manageable amount of heat. If the unit is placed in a cabinet, please ensure sufficient air circulation. If you place other components above or below the device, please ensure a minimum distance of 1 cm. We also recommend a location that is protected from direct sunlight so that you can easily read the indications on the display of the device (9). Avoid placing the device in the direct vicinity of a heater or in areas with extremely high humidity. When setting up the unit, also make sure that there is a free area of at least 15 cm in front of the CD slot (8), so that CDs can be inserted and ejected without hindrance.

1.4 Connection to mains

Connect the unit to the mains outlet (34) by using the power cord which is (in some countries) delivered together with the unit. Make sure that mains voltage is according to the value printed on the rear panel of the amp (near mains connector).

CAUTION: Keep the unit switched off (35) until all audio connections are made.

1.4.1 Phase LED

Especially with high end audio components, which are by nature very sensitive to mains hum, it is important to connect the mains phase correctly. The device is equipped with a Phase LED (38) on the rear panel for this purpose.

To check the phase, switch on the unit with the power button (1) and have a look at the Phase LED (38). This LED only lights up if the mains plug is connected with the incorrect polarity and remains dark if the polarity is correct. The display has been deliberately designed in this way, as the control electronics of the Phase LED (38) produces slight interference when the LED is lit. This is not the case with correct mains polarity (and a dark LED).

1.5 Mains phase indicator

Especially with high-end audio components, which are by nature very sensitive to mains hum, it is important to connect the mains phase correctly. The device is equipped with a Phase LED (38) on the rear panel for this purpose. To check the mains phase, switch on the unit with the on/off button (1) and take a look at the phase LED (38). This LED remains dark if the polarity is correct and **only lights up if the mains plug is incorrectly polarized**. In this case, switch the device to standby, pull the mains plug and plug it into the socket turned by 180°.

The mains phase indicator has been deliberately designed in this way, as the control electronics of the phase LED (38) produce slight interference when the LED is lit. This is not the case with correct mains polarity (and a dark LED).

1.6 Connection to a preamplifier or integrated amplifier

Connect the analogue outputs (16-19) to the high-level inputs of a preamplifier or integrated amplifier. The RCA outputs and the balanced XLR outputs are fully decoupled from each other and may be used independently. If possible, we recommend a balanced connection via the XLR outputs (16, 17), especially for longer connection lengths. Unbalanced RCA cables also offer excellent sound quality, provided you use a sufficiently shielded cable of high quality.

1.7 Connection of digital sources

Digital sources

Connect digital sources to the optical (23, 24) or coaxial (25, 26) digital inputs, to the AES/EBU digital input (27) (or to the USB digital input (22) using a suitable cable.

Digital recording devices

If you want to record digitally, you can connect your recording devices (computer, CD recorder) to the digital outputs (20, 21). Depending on the selected source, the output carries the signal of the internal CD player, or e.g., **DIG COAX, DIG OPT**. Please note, however, that Incoming signals via the **USB-B** input (22) are not looped through the digital outputs (20, 21).

1.8 RC 9 remote control

The optionally available **RC 9** remote control allows for easy and comprehensive control of your devices. Before you can use the **RC 9** together with your device, both components need to be connected. This process is also referred to as **Pairing**. In order to start the pairing process, please follow the instructions as described in section 1.8.1. A detailed description of the entire functionality of the optionally available **RC 9** remote control can be found in a separate manual on our AVM website at www.avm.audio.

1.8.1 Pairing

In order to control your device with a **RC 9** remote control, both components need to be linked first. This process is also referred to as **Pairing**. To start the pairing process, please switch off your device by using the mains switch (30) on the rear side of the unit. Now please navigate to the **Systems Settings** menu on your **RC 9** remote control by pressing the Settings key and navigate to the menu item **Start Pairing** *without* selecting it with the **Enter** key yet. Switch on your device by using the mains switch (30) on the rear side of the unit and immediately press the **Enter** key of your **RC 9** remote control to now start the **Pairing** process. The name of a successfully detected device will instantaneously be shown on the display of your **RC 9** remote control and can be edited by using the alphanumeric input keys of the **RC 9** remote control. After confirming the name of the paired device with the **Enter** key, you can also choose one of four available **Hotkeys**. Details on how to use the **Hotkey** function of your **RC 9** remote control can be found in a separate manual on our website at www.avm.audio. By pressing the **Enter** key on your **RC 9** remote control again, the pairing process is completed.

1.9 RC X App for iOS and Android

The **RC X App** for iOS and Android will turn your smartphone or tablet into an easy-to-use remote control and provides a variety of intuitive features to get the most out of your network-enabled AVM device with integrated AVM X-STREAM Engine®. The **RC X App** is available free of charge and can be downloaded from the [Apple App Store](https://www.apple.com/app-store) and the [Google Play Store](https://www.google.com/play-store).

1.10 Network installation (LAN, WiFi)

To use the extensive streaming and networking features such as **Spotify Connect®**, **Apple AirPlay**, **TIDAL**, **QOBUZ**, **HIGHRESAUDIO**, **web radio**, **podcasts** or **music servers**, your device must be connected to your home network or the internet via a router. You can choose from a wired LAN connection (31) or a wireless WiFi connection. When screwing the supplied WLAN antenna onto the corresponding WLAN antenna connector (28), please make sure that the antenna is aligned straight. Only then angle the antenna into the desired position.

LAN vs. WiFi

If you have the choice between a wired LAN or wireless WLAN connection, we generally recommend that you use a wired LAN connection, which usually provides higher bandwidth and is also less susceptible to interference and less dependent on the data traffic of your entire network.

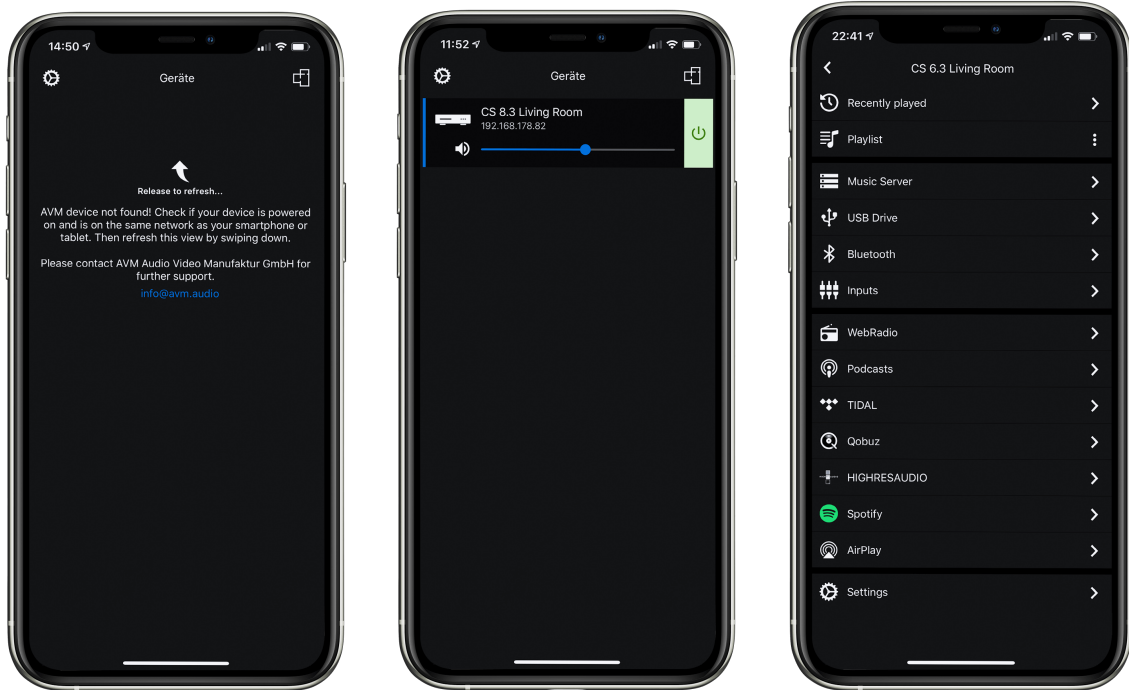
NOTE: All AVM devices with integrated AVM X-STREAM Engine® generally prefer a wired network connection and will automatically access it once a LAN/network cable is installed on the device (25). To still ensure smooth continuous operation via WLAN/WiFi, please remove any LAN/network cables from the LAN/network connection (31). Otherwise, the device will re-establish a wired network connection via LAN even during operation.

Please make sure to carefully follow all steps below to successfully set up a wired LAN connection or a wireless WiFi connection.

1.10.1 Setting up a wired LAN connection

All AVM devices with integrated AVM X-STREAM Engine® are hot-pluggable. This means that setting up a wired network connection does not require the AVM device to be restarted or turned off and on again. Instead, a network cable (LAN cable) can be connected while the device is running and a network connection is established immediately.

- ✓ Plug a LAN cable from your local router or network switch into the LAN port of the device (31).
- ✓ The device automatically connects to your home network via the connected LAN cable and is ready for use.
- ✓ Make sure your smartphone or tablet is connected to your local network and start the **RC X App**. After a short startup process, the **RC X App** automatically searches for available AVM devices in your local network and lists them with their device names and IP addresses. You can recognize an IP address by a sequence of numbers separated by several dots. Often an IP address starts with "192.168.xxx.x".
- ✓ Select an available device from the list by tapping it and wait a short moment until a connection between your smartphone or tablet and the device is established.



NOTE: If you do not see any available devices, check if the network cable is installed correctly and is on the same network as your smartphone or tablet. Then drag the view in the **RC X App** slightly down to search for available devices again. Please also note the **RC X App** is only compatible with AVM models with integrated AVM X-STREAM Engine®. You can find a current model overview at: www.avm.audio/rc-x-app.

- ✓ To check on the network status, start the **RC X App** and select the AVM device.
- ✓ Call up the menu item **Network info** in **Settings**. In the **Wireless** section, you can check on the WLAN configuration that has been established.



1.10.2 Setting up a wireless WiFi connection

To set up a wireless network connection (WLAN/WiFi) you have several options:

- ✓ **WPS**
- ✓ **AirPlay** configuration for iOS
- ✓ **RC X App** for Android via WiFi Access Point
- ✓ **RC 9** remote control

1.10.2.1 Setup via WPS

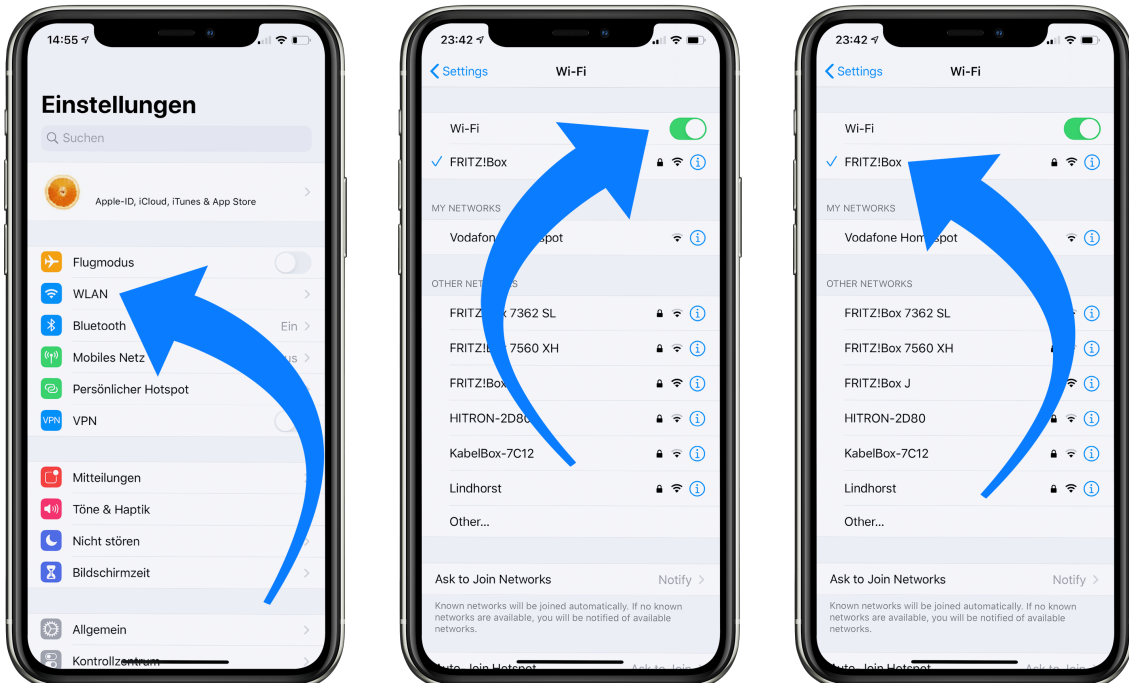
WPS (Wi-Fi Protected Setup) is a standard for easy and secure wireless network connection with encryption. All you need is a WiFi router with WPS function. Please refer to the relevant documentation to find out whether your router is equipped with WPS. The setup of a WPS connection is done via the **Personal Setup** Menu of your AVM device. For details on the complete range of functions of the **Personal Setup** menu, please refer to section **3.1 Personal Setup**.

- ✓ To call up the **Personal Setup** Menu, switch off the device completely using the mains switch on the rear panel (35).
- ✓ Now keep the **PROG** button (4) pressed and switch on the device again with the mains switch (35). As soon as the display shows ***** personal setup *****, the **PROG** button (4) can be released. In the **personal setup** menu, individual menu items can be selected with the option keys **< ITEM >** (2,3) and activated accordingly with the **PLAY** button (12).
- ✓ Now select the menu item **set WLAN via WPS** with the option keys **< ITEM >** (2,3).
- ✓ Activate the WPS function by pressing the **PLAY** button (12). The display shows **WPS in progress**.
- ✓ Now activate the WPS function on your WiFi router within two minutes.
- ✓ As soon as your AVM device has successfully established a WLAN connection via WPS, the name of the connected WLAN is shown on the display, e.g.: **Joined WLAN: WLAN Name (SSID)**.
- ✓ To finish the process, press the **STOP** button (10) and then exit the **Personal Setup** Menu by pressing the **STOP** button (10) again. After a short save procedure (the display shows **Exit & Save Settings**) the device restarts and switches to normal operating mode.
- ✓ Your AVM device is now connected to your local wireless network (WLAN/WiFi) and ready for operation.
- ✓ To check on the network status, start the **RC X App** and select the AVM device. Call up the menu item **Network info** in **Settings**. In the **Wireless** section, you can check on the WLAN configuration that has been established.

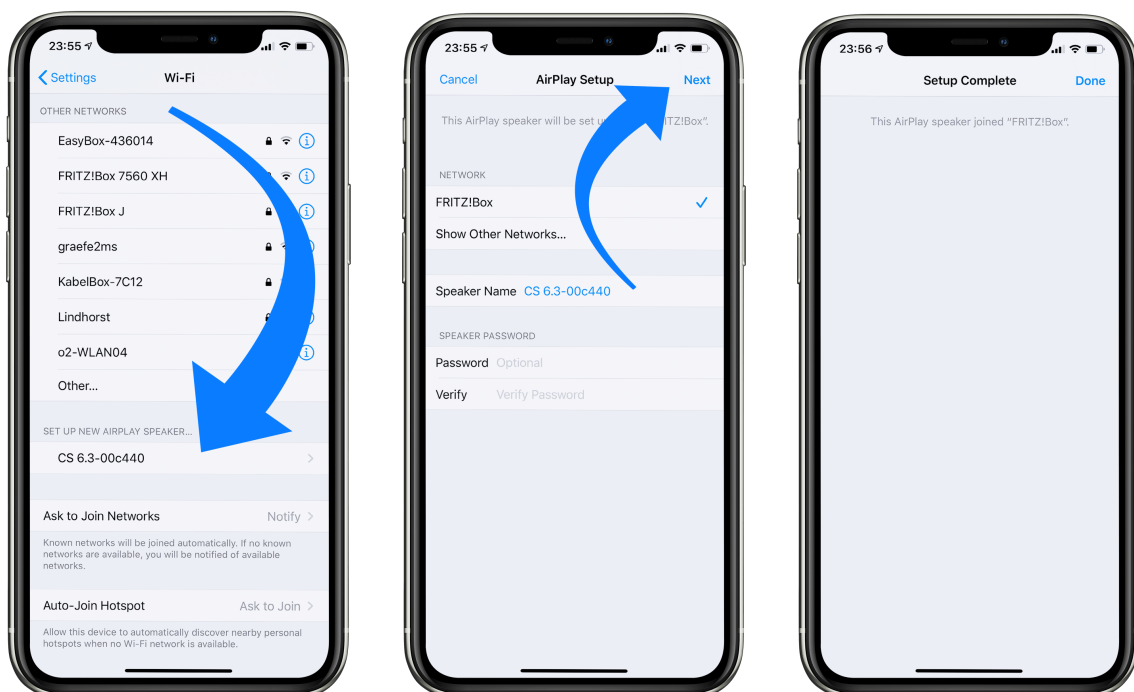


1.10.2.2 Setup via AirPlay configuration for iOS

- ✓ First switch off the AVM device completely using the mains switch on the rear panel (35) and wait a short moment until you switch it on again using the mains switch.
- ✓ As soon as your AVM device has completed the startup process and is in the general operating state, open the **WLAN** menu in the **Settings** of your iPhone or iPad. Make sure the WLAN function is enabled and your iPhone or iPad is connected to the desired WLAN.



- ✓ Select the AVM device you want to connect to your WLAN in the **WLAN** menu under the menu item **SET UP NEW AIRPLAY SPEAKER**. In the example below, the AVM device is listed as **CS 6.3-00c440**. Wait a moment if the device is not immediately displayed. Your iPhone or iPad will continuously search for new devices and update the view of available WLAN networks at short intervals. If the AVM device does not appear even after a short wait, repeat the AVM device power-up procedure as described above.
- ✓ In the following **Airplay Setup** menu, check that the desired WLAN is selected under **NETWORK** and, if necessary, change the device name for your AVM device under **Speaker Name**. Optionally set a password. Then start the connection process via **Next**. The WLAN access data including the password is now automatically transferred from your iPhone or iPad to your AVM device. As soon as the configuration is finished, you will receive a corresponding feedback, which you confirm with **Done**. Your AVM device is now integrated into your WLAN and ready for operation.

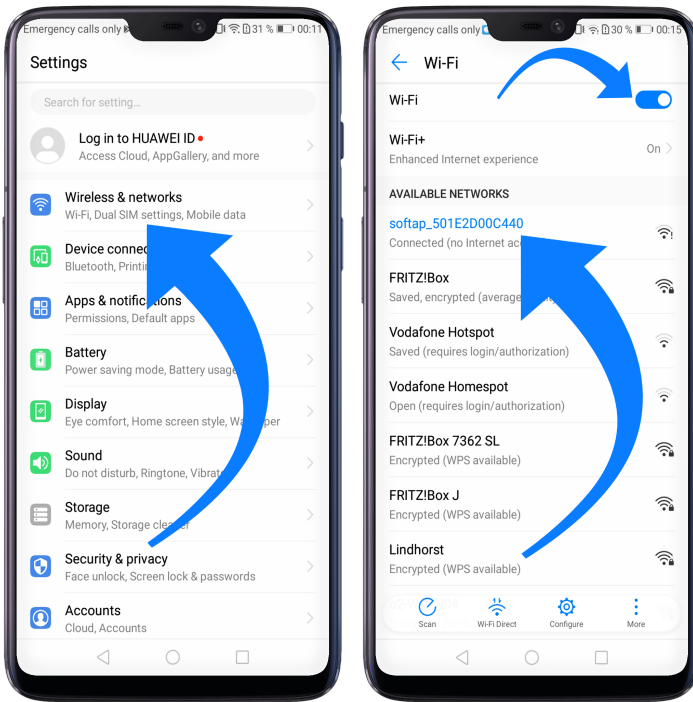


- ✓ To check on the network status, download the **RC X App** for iOS from the [Apple App Store](#) and install it on your iPhone or iPad. Then start the **RC X App** and select the AVM device from the start menu.
- ✓ Call up the menu item **Network Info** in the **Settings**. In the **Wireless** section, you can view details of the WLAN configuration that has been carried out.

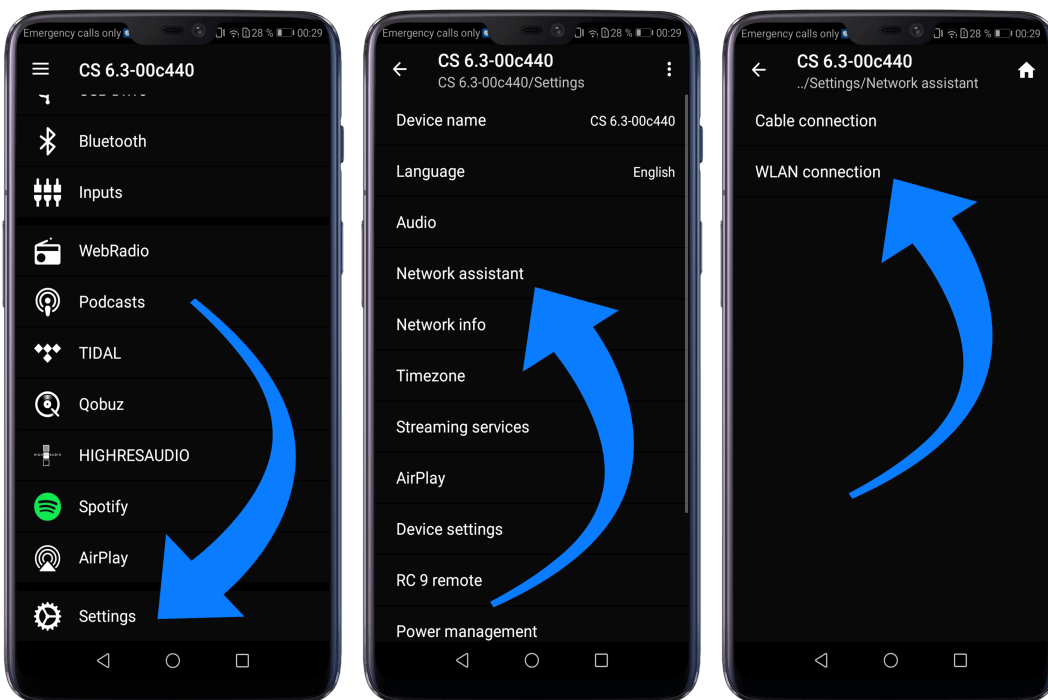


1.10.2.3 Setup via RC X App for Android & iOS via WiFi Access Point

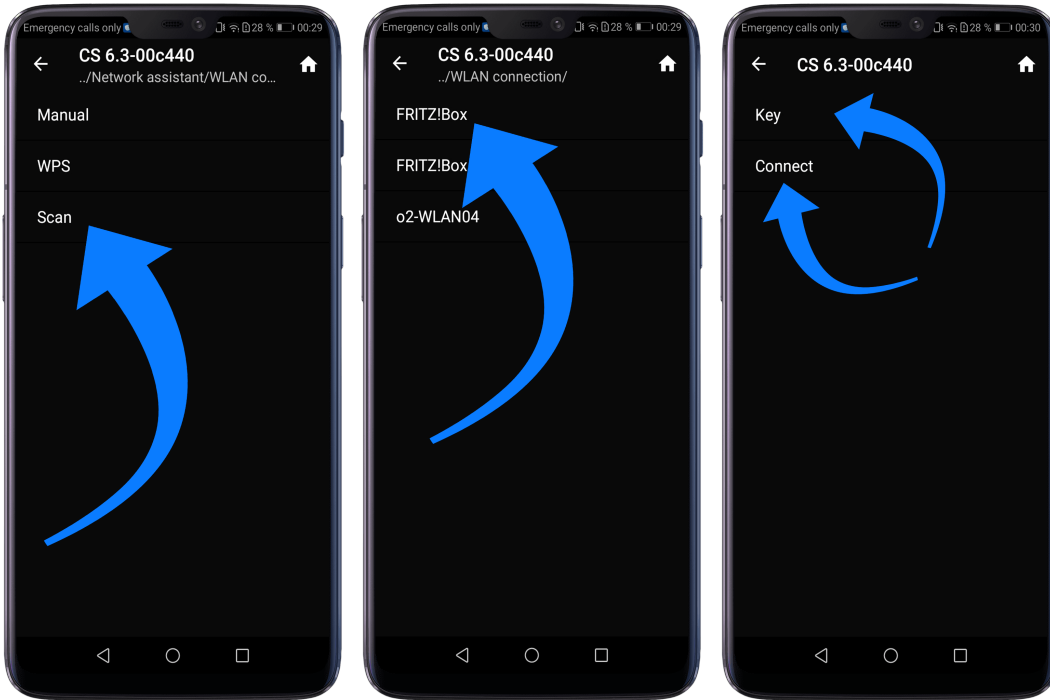
- ✓ Download the **RC X App** from the [Google Play Store](#) or [Apple App Store](#) and install it on your smartphone or tablet.
- ✓ Switch off the AVM device completely using the mains switch on the rear panel (35) and wait a short moment until you switch it on again using the mains switch.
- ✓ Once your AVM device has completed the startup process and is in general operating mode, go to the **Wireless & Networks** menu in the **Settings** of your Android smartphone or tablet and navigate to the WLAN menu item. Make sure that the WLAN function is turned on and select the open WLAN network, which consists of the name **softap** and an attached sequence of numbers and digits. In the example below **softap_501E2D00C440**.
- ✓ If necessary, ignore the note that the selected WLAN network cannot access the Internet. By selecting the WLAN network **softap** ... you create a temporary ad-hoc network, i.e., a direct wireless connection between your Android device and the AVM device.



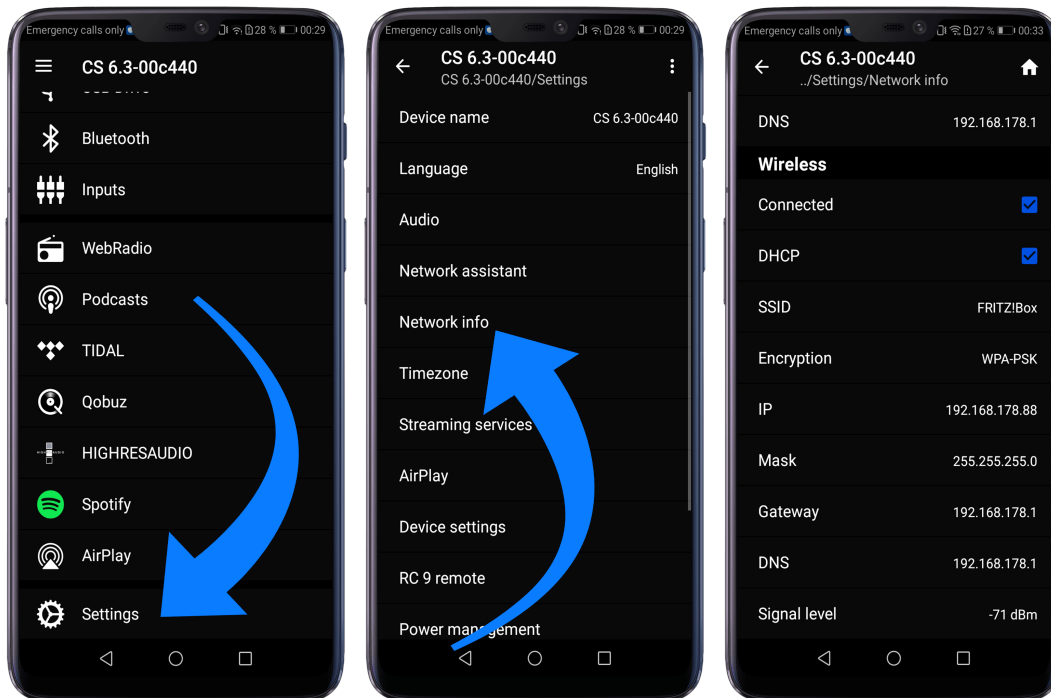
- ✓ Start the **RC X App** and select the AVM device from the start menu.
- ✓ Call up the menu item **Network assistant** in the **Settings** and select **WLAN connection**.



- ✓ Use **Scan** to search for available wireless networks and select the wireless network you want to use as soon as it appears in the search results. In the example below, the WLAN network is named **FRITZ!Box**. A WLAN network name is also called **SSID**.
- ✓ Enter the password for the WLAN network and complete the setup via **Connect**.



- ✓ Call up the menu item **Network Info** in the **Settings**. In the **Wireless** section, you can view details of the WLAN configuration that has been carried out.



1.10.2.4 Setup via optional RC 9 remote control

Before you can set up a wireless WLAN connection via the **RC 9**, both components must first be connected to each other. This one-time procedure is called **Pairing** and is described in section 1.8.1. A detailed description of the entire functionality of the **RC 9** remote control can be found in a separate operating manual at www.avm.audio.

- ✓ First, perform the **Pairing** procedure as described in section 1.8.1 and select the newly set up AVM device on the **RC 9** using the **Device Selection** menu item. You can reach this menu item via the **System Settings** menu that you call up by pressing the **Settings** button (tool symbol) of the **RC 9**.
- ✓ On the **RC 9**, select the menu item **Settings** (Einstellungen) in the main menu by pressing the upper or lower navigation button several times.
- ✓ By pressing the **Enter** button, select the menu item **Network assistant** and **WLAN connection**.
- ✓ By selecting the **Scan** menu item afterwards, your AVM device searches for available WLAN networks and lists them in an overview.
- ✓ Select the desired WLAN network and enter the network key (WLAN password) via the input keys of the **RC 9** after pressing **Key**.
- ✓ Confirm the entered network key (WLAN password) by pressing the **Enter** button and select **Connect**. In the following overview **Network Info**, the **Wireless** section displays details of the WLAN configuration.

1.11 Software & Firmware Updates

For maximum ease of use and to get the most out of your device, it is necessary to keep both the firmware of the integrated AVM X-STREAM Engine® and the **RC X App** up to date. The latest version of the **RC X App** can be downloaded from the [Apple App Store](#) or the [Google Play Store](#). To check on the installed AVM X-STREAM Engine® firmware version, use the **RC X App** or the optionally available **RC 9** remote control. Also, make sure your device has an active internet connection before you perform either of the following two steps (see section 1.10).

1.11.1 AVM X-STREAM Engine® Update via the RC X App

- ✓ Call up the menu item **Firmware Update** in the **Settings** and select **Check for Online Update**.
- ✓ If a new version is available under **SW Update** or **Host Update**, install it by clicking **Install Update**.
- ✓ The device restarts to install the update. Do not switch off the device and wait until the update process is completely installed. The update process will be shown on the display of the device if necessary.
- ✓ Once the update process is complete, the device will reboot and be ready for use again.

- ✓ Call up the **Settings** of the **RC X App**. In the **Version** section, you can view details about the currently installed firmware version.

To install a software update via a USB stick, please consult your dealer who will be happy to assist you with the update.

1.11.2 AVM X-STREAM Engine® Update via the RC 9 remote control

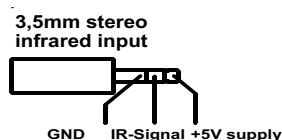
- ✓ Select the desired AVM device on the **RC 9** using the menu item **Device Selection**. You can reach this menu item via the **System** menu, which you call up by pressing the **Settings** button (tool symbol) on the **RC 9**.
- ✓ On the **RC 9**, select the menu item **Settings** in the main menu by pressing the upper or lower navigation button several times.
- ✓ Call up the menu item **Firmware Update** and select **Check for Online Update**.
- ✓ If a new version is available under **SW Update** or **Host Update**, install it by clicking **Install Update**.
- ✓ The device restarts to install the update. Do not switch off the device and wait until the update process is completely installed. The update process will be shown on the display of the device if necessary.
- ✓ Once the update process is complete, the device will reboot and be ready for use again.
- ✓ Select the menu item **Settings** in the main menu by pressing the upper or lower navigation key several times. In the **Version** section you can view details about the currently installed firmware version.

To install a software update via a USB stick, please consult your dealer who will be happy to assist you with the update.

1.12 External infrared control

The connector for an external infrared receiver (37) may be used to control the AVM device with an external infrared signal. For this purpose, the cable coming from the external receiver must be assembled with a 3.5 mm stereo jack plug. The voltage output must also have a logic level (LOW < 0.4V, HIGH >2.4V, max 5V).

Pin assignment for external infrared receiver (37)



2 Basic operation

2.1 First operation / self test

When switching on for the first time, a so-called self-test is performed if the device has been completely disconnected from the power supply or switched off via the mains switch (35). The device checks the configuration and functionality of the installed components. This process is indicated by a flashing Standby LED (7) and may take a few seconds.

2.2 Switching on / stand-by

With the power button (1) you can toggle between operation and standby mode. In standby mode the display is dark and the standby LED (7) is on. As soon as the machine is in operating mode, the standby LED (7) goes out and the display (9) is activated.

Tube warmup (MP 8.3)

Due to the warm-up phase of the integrated tube line stage, the power-on time of the MP 8.3 is extended by approx. 30 seconds.

CAUTION: When switched to stand by the unit is still connected to the mains. In case of a thunderstorm or if you leave the house for a longer time, we recommend you switch the amplifier off by using the mains switch (35) or pull the mains plug (34).

2.3 Display

When the unit is on, the display (9) shows information about the current settings and state of your Media Player. Apart from informations about the operating status (CD Player, Digital Input etc.) the lower line shows you currently active settings of the D/A converter: On the left-hand side the sample rate (e.g. **PCM 192kHz**), is displayed. On the right-hand side, you will find the current filter setting (**SMOOTH** or **STEEP**).

2.3.1 Display in CD player mode

TRACK

On the left-hand side both the current title is displayed (big figures) and the total number of available tracks of the inserted CD (small figures).

TIME

At the centre of the display the total duration of an inserted CD is displayed, while stopped (**STOP**). As soon as the CD is played (**PLAY**) or paused (**PAUSE**), the time already elapsed of the current track is displayed.

STATUS

The current operating status (**STOP, PLAY, PAUSE**) is also shown in the upper part of the display (9).

PROG

In case of a currently active track programming both the currently playing track and the total number of programmed tracks is displayed on the left-hand side (for example **PROG 2/17**).

RND

In case the random play mode is activated, the currently playing track and the total number of programmed tracks are displayed on the left-hand side (for example **RND 5/12**).

2.3.2 Display in D/A converter mode

On the left-hand side the name of the currently selected input is displayed under **SOURCE**. If there is no incoming signal available at the currently selected input, **NO SIGNAL** or **NO USB** is shown next to the input name.

2.4 CD Player

2.4.1 Playable disc formats

The CD player is suitable for playing all 'Red Book' compliant audio CDs. Red Book is an audio CD standard set by Philips and Sony. Furthermore, self-burned CDs can also be played as long as they comply with the 'Red Book' standard.

NOTE: Some manufacturers produce CDs that do not comply with the Red Book standard for copy protection reasons. We (and many other equipment manufacturers) cannot guarantee that such CDs will play properly. If you have purchased such a CD, you can return it to your dealer (even if you have already opened the package!) However, you can only do so if the CD case does not clearly show a notice on the CD that it is copy protected and that the CD does not conform to the standard.

ATTENTION: Do not use mats or stickers placed on the CD. These can impair music playback or interfere with the drive mechanics. We also advise against the use of small 8cm CDs and shape CDs. These could get stuck in the drive and cause defects in the mechanics.

2.4.2 Insert / eject

Insert a CD

Your Media Player is provided with a slot-in CD drive (8). Insert the CD (coverside up) and push slightly. The drive will now automatically draw the disc inside. After that the player reads the TOC (table of contents) and shows it on the display. Most left is the number of the actual track followed by the total number of tracks on the CD (for example **1/17**). The middle of the display shows the total playing time of the CD.

NOTE: If there is already a CD in the drive, the slot is blocked. If the CD is not readable or if a data CD or DVD is inserted by mistake, the **DISC ERROR** indicator will appear and the CD can be ejected by pressing the **EJECT** button (15).

Eject CD

Press the **EJECT** button (15). Then the disc will be ejected. If no CD is inserted, the display shows **NO DISC**.

AUTOPLAY

If CD is not selected as source the unit will automatically change to CD from any other input as soon as a CD is inserted. If **AUTOPLAY** is activated (see 3.1.6), the CD player will start playing automatically every time a CD is inserted. If **AUTOPLAY** is deactivated, the CD player will read the TOC (table of contents) of the inserted disc and then go to **STOP** mode.

2.4.3 CD playback

If a disc is inside playing is started by pressing the **PLAY** button (12). If you press **PAUSE** (11) the unit will go into the pause mode until **PLAY** (12) or **STOP** (10) is pressed. The current operating status (**PLAY**, **PAUSE**, **STOP**) is shown in the upper part of the display (9). Furthermore, the display shows the actual playing time, the actual title number and the total number of titles.

2.4.4 SKIP / SEARCH

With the **SKIP** keys (13, 14) you can select a title, or search for a certain position within the current title during playback.

When a CD is inserted and the player is stopped

Short tapping switches to the next or previous title. **Pressing and holding for longer** will automatically advance to the next or previous title.

While a CD is playing

Short tapping switches to the next or previous title. If more than five seconds of playing time have elapsed, the first press of the left **SKIP** button (13) jumps to the beginning of the title. Pressing the key again will jump to the previous title.

A longer press activates a fast forward or rewind to search for a specific position within the current title.

2.4.5 Repeat

Press the **REPEAT** button (6) once to repeat the actual title, twice to repeat the whole CD or the programmed sequence. A third pressing returns to the normal playing mode. The repeat state is displayed in the upper line of the display (**RP ONE / RP ALL**).

2.4.6 Programming an individual playlist

Press the **PROG** button (4) to enter the programming menu. In the upper left corner of the display, the title number (**TRCK**) of the title to be reprogrammed is shown, which can be selected with the two selection keys (2, 2). Below this, the length of this title is displayed (**TIME=xx:xx**).

Use the **PLAY** key (12) to insert a selected title into the program. The display shows the total number of already programmed titles in the upper right line (**PGM-QTY xx**). Below this the display shows the total programmed playing time (**P-TIME xx:xx**).

With the right **SKIP** button (14) the program is stored and can be started afterwards with the **PLAY** button (12). Use the left **SKIP** key (13) to leave the programming menu. Already programmed titles will be deleted and the unit will return to normal operating mode.

2.4.7 Programming an individual playlist (example)

The CD inside the player contains 15 titles. You want to play only titles 7, 3 and 8.

- Press the **PROG** button (4) to enter the programming menu. Since no titles have been programmed yet, **PGM-QTY 0** (right) and **TRCK 01/15** (left) appear in the upper line of the display.
- Select title 7 using the **Option** keys (2,3). The display shows **TRCK 7/15**.
- Now add the selected track to the playlist by pressing **PLAY** (12).
- Select title 3 using the **Option** keys (2,3). The display shows **TRCK 3/15**.
- Now add the selected track to the playlist by pressing **PLAY** (12).
- Select title 8 using the **Option** keys (2,3). The display shows **TRCK 8/15**.
- Now add the selected track to the playlist by pressing **PLAY** (12).
- Press **PROG** (4) to finish the programming and store the playlist.

NOTE: The maximum number of programmed tracks is 99. The maximum program duration is 99 minutes.

2.4.8 Deleting a programmed playlist

To delete a programmed playlist, press the **PROG** button (4) and then the left **SKIP** button (13). Ejecting a CD or switching off the device also deletes a playlist. When switching to another source, however, the programmed playlist is retained.

2.4.9 Random

Press the **PROG** button (4) to enter the programming menu. By pressing the right **SKIP** button (14) a random playback sequence (**RANDOM**) is automatically programmed, which can be started by pressing the **PLAY** button (12).

2.5 Source selection

In addition to the integrated CD drive, the device is equipped with a large number of digital inputs that can be activated using the two option keys (2, 3). The current source is shown on the left side of the display (9) under **SOURCE**.

Selecting additional sources such as **Spotify Connect®**, **Apple AirPlay**, **TIDAL**, **QOBUZ**, **HIGHRESAUDIO**, **Webradio**, **Podcasts**, **Music Server** or **USB (STICK HDD)** (29) is only possible using the optionally available **RC 9** remote control or the free [RC X App for iOS and Android](#).

NOTE: If you switch to another source during CD playback, the CD will stop before changing the input. This process may take a few seconds. If a digital input is selected and no compatible digital signal is present, the display (9) shows **NO SIGNAL** or **NO USB** instead of the volume indicator. In this state volume settings (see section 2.6) cannot be adjusted due to the selected digital input.

2.6 Volume setting

If the **VARIABLE** option is activated via the **Personal Setup** menu (see section 3.1.1), the playback volume of the selected source can be adjusted via the front panel. The display will then show the currently selected volume value of 0 - 100 dB in large letters in the right area and can be adjusted in steps of 0.5 dB or 2 dB by pressing and holding the option **keys < >** (2, 3).

ATTENTION: Please note that even if the **VARIABLE** option is activated, a short press of the two option buttons **< >** (2, 3) causes a change of the input source. To change the playback volume, however, a longer press of the two selection buttons of approx. 1 second is required.

NOTE: With the optionally available RC 9 remote control, the volume is always changed in steps of 2 dB.

2.7 Samplerate and filter setting

By pressing the **FILTER** button (5) once or several times, you can choose between available sample rates and filter settings for a specified source (CD or digital input). The currently selected sample rate is displayed at the bottom left corner (44.1, 48, 88.2, 96, 176.4, 192, 352, 384 kHz). The **NAT** indicator stands for "Native" and means that the applied sample rate of the signal is directly processed and converted. **CNV**, on the other hand, stands for "Conversion" and means that up- or downsampling to the selected sample rate is performed.

PLEASE NOTE that only the settings **NAT / STEEP** or **NAT / SMOOTH** are available if **USB** is selected.

You may select the **STEEP** and **SMOOTH** filter settings according to your sonic preferences. Depending on the signal being reproduced, different filter settings can produce optimal results.

Technically speaking, **STEEP** means steep filtering at the end of the band with a flat amplitude frequency response but strong phase shift. **SMOOTH**, on the other hand, filters less steeply causing a small amplitude drop before the end of the band, but a smaller phase shift. The selected filter setting is only valid for the current input and remains stored even after the unit is switched off. It can be changed at any time by pressing the **FILTER** key (5) again.

2.8 USB B digital input

If a digital signal from a computer (PC or Mac) is connected to the USB B digital input of your Media Player (22), you can choose between two different modes (**LOW RES** or **HIGH RES**) by pressing the **PROG** button (4).

LOW RES can be used to play back a digital input signal with a sample rate of up to 96kHz without the need for an additional audio driver on your Windows PC or Mac.

HIGH RES can be used to play back a digital input signal with a sample rate of up to 384kHz/24 Bit (PCM) without the need to install an audio driver on your Mac. PC systems with Windows on the other hand require an additional driver, which is available for free download in the download area at www.avm.audio.

When a digital signal is applied, the currently active data format (**PCM** or **DSD**) is shown in the lower left area of the display next to the **sample rate**.

Please note that for playback of **DSD64** and **DSD128** the **HIGH RES** setting is always required.

3 Advanced Settings

3.1 Personal Setup

The personal setup offers a range of settings to individualize tyour device according to your personal needs. To enter the **personal setup** menu, please switch off your device on the rear of the unit at the mains switch (35). Keep the **PROG** button pressed (4) while you switch on the unit again (35). As soon as the display first shows **Entering setup** and then ***** personal setup *****, you can release the **PROG** button (4). Use the option keys **< >** (2, 3) to select a desired menu item and use the **PLAY** key (12) to enter the corresponding submenu. Then use the **SKIP** buttons (13, 14) to make the desired setting. Press the **STOP** key (**EXIT**) to return to the main menu and select further menu items of the personal setup via the **PLAY** button (12). By pressing the **STOP** key (**EXIT**) again, you can leave the **personal setup**. The settings made are now saved (**Exit & Save Settings** appears in the display). Afterwards the device performs a reboot and is ready for operation again.

3.1.1 Set volume limit

With this menu item you can limit the maximum output volume up to 50%. This feature can be useful to avoid rapid volume jumps caused e.g., by accidental misuse of the volume control in the **RC X App** for iOS and Android. The default setting is 70% and is intended as a protection mechanism to protect other components in your system (e.g., speakers) and last but not least your ears from drastic volume jumps which can be triggered e.g., by accidentally operating the volume control of the **RC X App** for iOS and Android.

3.1.2 set display brightness

Sets display brightness 25% to 100%.

NOTE: The setting 100% can lead to "burn in" effects on the display if the unit is operated in this setting for a very long time. In order to avoid such "burn in effects" please switch the unit to stand by, if not in use.

3.1.3 skip unused inputs

If you do not need all digital inputs, the unused inputs can be deactivated (**SKIPPED**). When selecting the source, all inputs defined as **SKIPPED** are automatically skipped and are also not selectable via remote control. The settings can be adjusted at any time by calling up the menu item again.

3.1.4 Define input names

With the menu item **define input names** you can change the input names of sources on the display (9). A name has a maximum of 8 characters. With the option keys **< >** (2, 3) you select the desired input. In the left half of the display the current name of the selected input is shown,

in the right half the new name. The edited character is marked with an underscore. With the **REPEAT** button (6) you determine the position of the character to be changed, with the **SKIP** buttons (13, 14) you set the desired character. Short tapping switches to the next / previous letter.

3.1.5 Set fixed volume

VARIABLE

If the **VARIABLE** option is activated, the playback volume of a source can be adjusted using a remote control, the **RC X App** or the front panel control. See section 2.6 Volume Control.

ATTENTION: Please note that even if the **VARIABLE** option is activated, briefly pressing one the two option buttons < > (2, 3) will cause a change of the input source. To change the playback volume, however, a longer pressing of the two option buttons of approx. one second is required.

FIXED VOL

If the **FIXED VOL** option is activated, the signal is reproduced with a fixed gain setting. It is not possible to change the volume via remote control or the selection buttons on the front panel. In the general operating mode, the **FIX** indicator on the right side of the display (9) indicates this setting.

3.1.6 Set autoplay

If the **AUTOPLAY** function is activated, the unit will automatically start playback after inserting a CD without the need to press the **PLAY** button first. In addition, the unit automatically switches from an active digital input to CD mode. In the factory setting, this function is activated (on). If the **AUTOPLAY** function is deactivated, however, an inserted CD is only read in the background - without changing to CD mode.

3.1.7 Set IR control

In addition to control your device via the optionally available **RC 9** remote control or the free [RC X App for iOS and Android](#), a range of essential functions can also be controlled via the classic RC 3 or RC 8 infrared remote controls. In order to receive a respective infrared signal of the RC 3 or RC 8, please make sure to activate the **set ir control** function (**ON**).

3.1.8 set auto standby

To save energy, the unit is equipped with a circuit that automatically puts the unit into standby mode if there is no music signal on the currently active input for more than 20 minutes. This function is activated (**ACTIVE**) by default and can be deactivated permanently with this menu item (**NOT ACTIVE**).

The selected setting is permanently stored when leaving the **Personal Setup**, but can be changed at any time by calling up the **Personal Setup** again.

3.2 Reset (Factory Settings)

The **RESET** option offers you the possibility to reset the device to its original factory settings and thus to its delivery state. To do this, first switch the device to standby mode using the power button (1) and then switch it off completely using the mains switch (35).

Now keep both buttons **REPEAT** (6) and **STOP** (10) pressed while switching on the device with the mains switch (35). As soon as the message **Entering setup** appears in the display (9), the two keys can be released.

Press the **PLAY** button (12) to reset all settings. The **PAUSE** key (11) only resets the input names (see section 0). After pressing one of the two keys, the device performs the corresponding reset and then restarts to the general operating mode.

By pressing the **STOP** key (**EXIT**) you may leave the menu without making any changes.

Alternatively, a complete reset to the factory settings may also be performed using the [RC X App for iOS and Android](#) or the **RC 9** remote control. To do this, select the menu item **Reset device** in the **Settings** of the **RC X App** or the **RC 9** remote control and confirm the reset. The device will now perform a reset to its factory settings and restart to its general operating state.

4 Appendix

4.1 Cleaning

Surface and pressure of the housing are largely scratch-resistant. It can be cleaned with mild soapy water or a glass cleaner and a soft duster.

ATTENTION: During cleaning, liquid must never be allowed to enter the interior of the housing. For safety reasons, the power cord should also be disconnected before damp wiping. Do not use any solvents or abrasive cleaners that could damage the surface or printing on the housing.

4.2 Troubleshooting

Some putative defects are often caused by mistakes in operation. Sometimes other units connected to the amplifier can cause problems. We therefore kindly ask you to read the following tips before consulting your dealer or us.

1. No playback

- a) Inadvertent switching to standby. Press power button (1).
- b) If the control LED (7) and display (9) do not light up a fuse can be blown due to overvoltage (e.g. in case of a thunderstorm etc.). Please contact your dealer.

2. RC 9 remote control doesn't work

- a) Charge the included lithium-ion battery of the optionally available **RC 9** remote control.
- b) Point with the remote control transmitter directly to the unit.
- c) Reconnect the **RC 9** remote control with your device. This process is also referred to as **Pairing**. In order to start the pairing process, please follow the instructions as described in section 1.8.1.

3. The display shows „no disc“, although a CD is inserted

- a) Please make sure the CD is not a data disc, has not been damaged and is inserted with the correct side facing up
- b) Please clean your CD with a soft cleaning cloth.

4.3 Conditions of warranty (EC only)

If despite expectations a defect occurs that cannot be repaired by yourself or your dealer, we undertake the repair of your unit free of charge for up to three years from date of purchase. The warranty covers the costs of material and working time, transport costs are to be borne by the owner.

Provisions for this warranty are:

- The unit must have been purchased from an authorised dealer. Equipment from other sources will not be repaired, not even at charge.
- The warranty registration card, together with a copy of the bill of sale, must be received by us within four weeks of the date of purchase.
- The defect must not have been caused by improper handling or misuse.
- Return the unit to us only in its original packing. If this is not possible, we are entitled to refuse acceptance. We will not assume responsibility for transport damage under any circumstances.
- A short description of the defect is to be included with the returned unit.
- In cases of doubt, we reserve the right to request a copy of the bill of sale.
- We also reserve the right to levy a handling charge for items returned without good or valid reason, or if the unit proves to be not defective.

NOTE: If you are returning the unit from a country other than Germany you should ensure that correct export documents are obtained. We cannot accept any charges for costs arising from improper or incomplete export documentation.

If you have purchased your unit from a dealer outside Germany please refer to him or the relevant importing firm to process the warranty.

NOTE: Energy consumption in stand by mode

To power up your AVM device at any time via the [RC X App for iOS and Android](#), the integrated AVM X-STREAM Engine® remains in standby mode and is always ready for operation. Please note that the power consumption is not below 0.5 VA as usual, but increases to about 5.5 VA. If you want to save this energy, switch off the unit completely with the rear mains switch (34) after switching to stand-by mode.

Changes reserved without notice. 2021/01/14.